

(Halogen Free)
RoHs
Compliant

(Halogen Free)
RoHs
Compliant

Standard Resistance Values:

The below chart shows the nominal resistance value for each series.
The values in the chart have been in this order using the approximate values that are based on the common ratios given in the following table:

Series	Common Ratio	Remarks
E-6	$\sqrt[6]{10}$ (1.46)	Rounded off to a 2-digit figure.
E-12	$\sqrt[12]{10}$ (1.21)	
E-24	$\sqrt[24]{10}$ (1.10)	
E-96	$\sqrt[96]{10}$ (1.02)	Rounded off to a 3-digit figure.

E-6	E-12	E-24	E-96	
1.0	1.0	1.0	1.00	
			1.02	
			1.05	
			1.07	
			1.10	
			1.13	
	1.1	1.1	1.15	
			1.18	
			1.21	
			1.24	
			1.27	
			1.30	
	1.2	1.2	1.33	
			1.37	
			1.40	
			1.43	
			1.47	
			1.50	
1.5	1.5	1.5	1.54	
			1.58	
			1.62	
			1.65	
			1.69	
			1.74	
	1.8	1.8	1.8	1.78
				1.82
				1.87
				1.91
				1.96
				2.00
2.0	2.0	2.0	2.05	
			2.10	

E-6	E-12	E-24	E-96	
2.2	2.2	2.2	2.15	
			2.21	
			2.26	
			2.32	
			2.37	
			2.43	
	2.4	2.4	2.4	2.49
				2.55
				2.61
				2.67
				2.74
				2.80
	2.7	2.7	2.7	2.87
				2.94
				3.01
				3.09
				3.16
				3.24
3.3	3.3	3.3	3.32	
			3.37	
			3.43	
			3.48	
			3.54	
			3.60	
	3.6	3.6	3.6	3.65
				3.71
				3.77
				3.83
				3.89
				3.95
3.9	3.9	3.9	4.01	
			4.07	
			4.13	
			4.19	
			4.25	
			4.31	
	4.3	4.3	4.3	4.37
				4.43
				4.49
				4.55
				4.61
				4.67

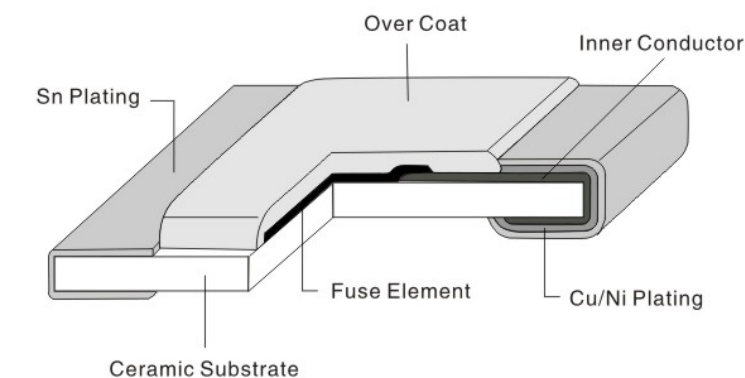
E-6	E-12	E-24	E-96	
4.7	4.7	4.7	4.64	
			4.75	
			4.87	
			4.99	
			5.11	
			5.23	
	5.1	5.1	5.1	5.36
				5.49
				5.62
				5.76
				5.90
				6.04
	5.6	5.6	5.6	6.19
				6.34
				6.49
				6.65
				6.81
				6.98
6.8	6.8	6.8	7.15	
			7.32	
			7.50	
			7.68	
			7.87	
			8.06	
	7.5	7.5	7.5	8.25
				8.45
				8.66
				8.87
				9.09
				9.31
8.2	8.2	8.2	9.53	
			9.76	

CF/CFS Thin Film Chip Fuse

Features:

- Small and light weight design
- Thin film manufacturing method stabilizing fusing characteristics
- Low internal resistance
- Suitable for over current protection
- Recognized standard: UL248-14 file No.E241710

Construction:

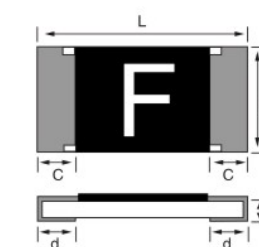


Type Designation

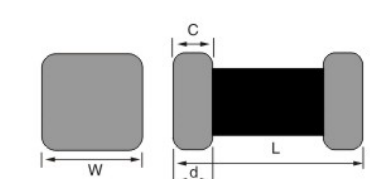
CF/CFS	06	V5	T	R50
Product Code	Size	Rated Voltage	Packaging	Rated Current
CF: Open within 1 min. at 200% rated current CFS: Open within 5 sec. at 250% rated current	04:1.0×0.52mm 06:1.6×0.80mm 12:3.1×1.55mm 24:6.1×2.6mm	VA:125V V6:63V V5:50V V3:32V	T:Paper Tape (5K)	R50:0.5A R80:0.8A 1R0:1.0A 1R25:1.25A 1R50:1.5A 2R0:2.0A 2R50:2.5A 3R0:3.0A 4R0:4.0A 5R0:5.0A 7R0:7.0A

Dimensions

For CF/CFS 04/06/12



For CF/CFS 24



Type (inch)	L	W	C	d	t
CF/CFS 04 (0402)	1.0±0.1	0.52±0.05	0.2±0.1	0.25±0.10	0.35±0.05
CF/CFS 06 (0603)	1.6±0.1	0.80±0.10	0.3±0.2	0.35±0.20	0.45±0.10
CF/CFS 12 (1206)	3.1±0.1	1.55±0.10	0.5±0.3	0.5±0.20	0.60±0.10
CF/CFS 24 (2410)	6.1±0.2	2.6±0.10	1.45±0.1	1.45±0.1	2.6±0.1

CF/CFS Thin Film Chip Fuse



CF0402 Rating and characteristic

Parts Designation	Marking	Rated Current	Fusing Time	Resistance (mΩ)Typ.*	Rated Voltage	Breaking Capacity	Body Temperature rising			
CF04V3TR50	F	0.50A	Open within 1min. at 200% rated current	320	DC32V	DC32V/35A	< 75°C at 100% rated current			
CF04V3TR80	K	0.80A		120						
CF04V3T1R0	L	1.00A		90						
CF04V3T1R25	M	1.25A		67						
CF04V3T1R50	P	1.50A		51						
CF04V3T1R60	N	1.60A		46						
CF04V3T2R0	S	2.00A		33						
CF04V3T2R50	T	2.50A		25						
CF04V3T3R00	3	3.00A		20						
CF04V3T3R15	U	3.15A		19						
CF04V3T4R0	W	4.00A		16						
CFS04V3TR50	F	0.50A		Open within 5secs. at 250% rated current				235	DC32V	DC32V/35A
CFS04V3TR80	K	0.80A						86		
CFS04V3T1R0	L	1.00A	64							
CFS04V3T1R25	M	1.25A	45							
CFS04V3T1R50	P	1.50A	35							
CFS04V3T1R60	N	1.60A	32							
CFS04V3T2R0	S	2.00A	24							
CFS04V3T2R50	T	2.50A	19							
CFS04V3T3R00	3	3.00A	15							
CFS04V3T3R15	U	3.15A	14							
CFS04V3T4R0	W	4.00A	10.5							

* Resistance value was measured with less than 10% of rated current.

CF0603 Rating and characteristic

Parts Designation	Marking	Rated Current	Fusing Time	Resistance (mΩ)Typ.*	Rated Voltage	Breaking Capacity	Body Temperature rising
CF06V5TR50	F	0.50A	Open within 1min. at 200% rated current	250	DC 50V	DC50V/50A	< 75°C at 100% rated current
CF06V3TR63	I	0.63A		173	DC 32V	DC 32V/50A	
CF06V3TR80	K	0.80A		115			
CF06V3T1R0	L	1.00A		88			
CF06V3T1R25	M	1.25A		63			
CF06V3T1R50	P	1.50A		45			
CF06V3T1R60	N	1.60A		42			
CF06V3T2R0	S	2.00A		33			
CF06V3T2R50	T	2.50A		24			
CF06V3T3R00	3	3.00A		21			
CF06V3T3R15	U	3.15A		19			
CF06V3T4R0	W	4.00A		15			
CF06V3T5R0	Y	5.00A		12			
CFS06V5TR50	F	0.50A	Open within 5secs. at 250% rated current	175			
CFS06V3TR63	I	0.63A		130	DC32V	DC32V/50A	
CFS06V3TR80	K	0.80A		93			
CFS06V3T1R0	L	1.00A		65			
CFS06V3T1R25	M	1.25A		47			
CFS06V3T1R50	P	1.50A		36			
CFS06V3T1R60	N	1.60A		34			
CFS06V3T2R0	S	2.00A		26			
CFS06V3T2R50	T	2.50A		20			
CFS06V3T3R00	3	3.00A		16			
CFS06V3T3R15	U	3.15A		15			
CFS06V3T4R0	W	4.00A		12			
CFS06V3T5R0	Y	5.00A		9			

* Resistance value was measured with less than 10% of rated current.

CF/CFS Thin Film Chip Fuse

(Halogen Free)
RoHS
Compliant

(Halogen Free)
RoHS
Compliant

CF1206 Rating and characteristic

Parts Designation	Marking	Rated Current	Fusing Time	Resistance (mΩ)Typ.*	Rated Voltage	Breaking Capacity	Body Temperature rising	
CF12V6TR50	F	0.50A	Open within 1min. at 200% rated current	590	DC 63V	DC63V/50A	< 75°C at 100% rated current	
CF12V6TR80	K	0.80A		225				
CF12V6T1R0	L	1.00A		130				
CF12V6T1R25	M	1.25A		88				
CF12V6T1R50	P	1.50A		65				
CF12V6T2R0	S	2.00A		38				
CF12V3T2R50	T	2.50A		DC 32V	32	DC 32V/50A		
CF12V3T3R00	3	3.00A			23			
CF12V3T4R0	W	4.00A			15			
CF12V3T5R0	Y	5.00A			11			
CF12V3T7R0	Z	7.00A			7			
CF12V3T5R0	Y	5.00A			Open within 5secs. at 250% rated current			385
CFS12V6TR50	F	0.50A		165				
CFS12V6TR80	K	0.80A		108				
CFS12V6T1R0	L	1.00A	76					
CFS12V6T1R25	M	1.25A	51					
CFS12V6T1R50	P	1.50A	32					
CFS12V6T2R0	S	2.00A	DC 32V	26		DC 32V/50A		
CFS12V3T2R50	T	2.50A		20				
CFS12V3T3R00	3	3.00A		14				
CFS12V3T4R0	W	4.00A		10				
CFS12V3T5R0	Y	5.00A		6.5				
CFS12V3T7R0	Z	7.00A						

* Resistance value was measured with less than 10% of rated current.

Cf24 Rating and characteristic

Parts Designation	Rated Current	Fusing Time	Resistance (mΩ)Typ.*	Rated Voltage	Voltage Drop(mV) Max
CF24VATR50	0.50A	Open within 5 secs.at 200% rated current	0.163	125V DC	300
CF24VATR70	0.70A		0.13		280
CF24VATR75	0.75A		0.102		270
CF24VAT1R0	1.00A		0.073		250
CF24VAT1R50	1.50A		0.043		220
CF24VAT2R0	2.00A		0.031		200
CF24VAT2R50	2.50A		0.024		180
CF24VAT3R00	3.00A		0.021		160
CF24VAT3R50	3.50A		0.018		150
CF24VAT4R0	4.00A		0.016		150
CF24VAT5R0	5.00A		0.013		130
CF24VAT6R0	6.00A		0.011		120
CF24VAT7R0	7.00A		0.0082		120
CF24VAT8R0	8.00A		0.0058		110
CF24VAT10R0	10.0A	0.0049	90		
CF24V6T12R0	12.0A	Open within 60 secs.at 200% rated current	0.0031	65V DC	80
CF24V615TR0	15.0A		0.0020		70
CFS24VATR50	0.50A	Open Min 1sec Max 60 secs. at 200% rated current	0.451	125V DC	400
CFS24VATR70	0.70A		0.210		360
CFS24VATR75	0.75A		0.242		320
CFS24VAT1R0	1.00A		0.132		250
CFS24VAT1R50	1.50A		0.067		230
CFS24VAT2R0	2.00A		0.043		210
CFS24VAT2R50	2.50A		0.04		200
CFS24VAT3R00	3.00A		0.033		190
CFS24VAT3R50	3.50A		0.024		180
CFS24VAT4R0	4.00A		0.022		160
CFS24VAT5R0	5.00A		0.021		150
CFS24VAT6R0	6.00A		0.018		140
CFS24VAT7R0	7.00A		0.011		130

* Resistance value was measured with less than 10% of rated current.
Note:CF/CFS 24 Series are Ceramic Brick Fuse.